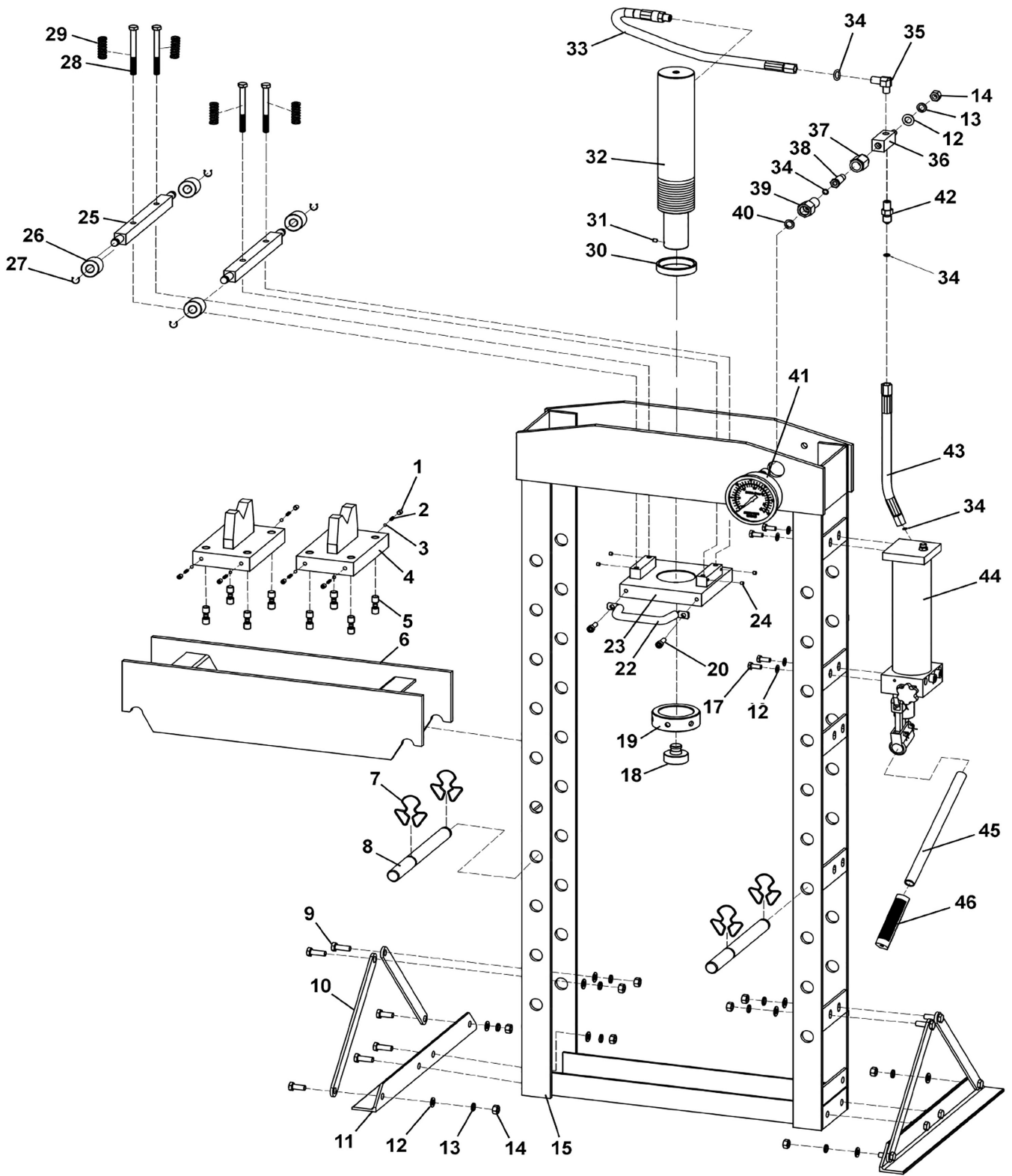


Parts Information:
Premier Hydraulic Floor Type Press 20 Tonne
Model No: YK209F.V3



NOTE: It is our policy to continually improve products and as such we reserve the right to alter data, specifications and component parts without prior notice. There may be alternative versions of this product, please contact us should you require this information.

IMPORTANT: No liability is accepted for incorrect use of product. Spare parts must be fitted by a competent person

WARRANTY: Guarantee is 12 months from purchase date, proof of which will be required for any claim.



Parts Information:
**Premier Hydraulic Floor Type Press 20
Tonne**
Model No: YK209F.V3

Item	Part No.	Description	Qty
1	YK209F.V3-01	Grub Screw	8
2	YK209F.V3-02	Spring	8
3	YK209F.V3-03	Steel Ball	8
4	YK209F.V3-04	V-Block	2
5	YK209F.V3-05	Roller	8
6	YK209F.V3-06	Bed Frame	1
7	YK209F.V3-07	Retaining Clip	4
8	YK209F.V3-08	Table Support Pin	2
9	SS1030.S	Hex Head Set Screw M10 x 30mm	12
10	YK209F.V3-10	Support	4
11	YK209F.V3-11	Base Section	2
12	FWM10.S	Flat Washer M10	17
13	SWM10.S	Spring Washer M10	13
14	SN10.S	Steel Nut M10	13
15	YK209F.V3-15	Main Frame	1
17	SS1020.S	Hex Head Set Screw M10 x 20mm	4
18	YK209F.V3-18	Saddle (Serrated)	1
19	YK209F.V3-19	Round Nut, Lower	1
20	YK209F.V3-20	Screw For Handle	2
22	YK209F.V3-22	Handle For Ram Plate	1
23	YK209F.V3-23	Ram Plate	1
24	YK209F.V3-24	Grub Screw	4
25	YK209F.V3-25	Connecting Rod	2

Item	Part No.	Description	Qty
26	YK209F.V3-26	Bearing	4
27	YK209F.V3-27	Ext Circlip	4
28	YK209F.V3-28	Bolt	4
29	YK209F.V3-29	Spring Ø 24.2mm	4
30	YK209F.V3-30	Round Nut, Upper	1
31	YK209F.V3-31	Set Screw	1
32	YK209F.V3-32	Ram	1
33	YK209F.V3-33	Oil Hose For Ram	1
34	YK209F.V3-34	O-Ring	4
35	YK209F.V3-35	Elbow Fitting	1
36	YK209F.V3-36	Union Seat	1
37	YK209F.V3-37	Union Nut	1
38	YK209F.V3-38	Union Screw	1
39	YK209F.V3-39	Gauge Fitting	1
40	YK209F.V3-40	Nylon Ring	1
41	YK209F.V3-41	Pressure Gauge 28MT/30T Ø 110mm (Rear Fitting)	1
42	YK209F.V3-42	Joint	1
43	YK209F.V3-43	Oil Hose For Pump	1
44	YK209F.V3-44	Pump	1
45	YK209F.V3-45	Jack Handle (Round) 14.90mm	1
46	YK209F.V3-46	Handle Grip	1

NOTE: It is our policy to continually improve products and as such we reserve the right to alter data, specifications and component parts without prior notice. There may be alternative versions of this product, please contact us should you require this information.

IMPORTANT: No liability is accepted for incorrect use of product. Spare parts must be fitted by a competent person

WARRANTY: Guarantee is 12 months from purchase date, proof of which will be required for any claim.

Sealey Group, Kempson Way, Suffolk Business Park, Bury St Edmunds, Suffolk. IP32 7AR



01284 757500



sales@sealey.co.uk



www.sealey.co.uk